

PLEASE CHECK WWW.MOLEX.COM FOR LATEST PART INFORMATION

Part Number: [0019092067](#)
Status: **Active**
Overview: [standard_093](#)
Description: 2.36mm (.093") Diameter Standard .093" Pin and Socket Plug Housing With Positive Latch, UL 94V-0, Panel Mount, 6 Circuits

Documents:

[3D Model](#) [Drawing \(PDF\)](#)
[Packaging Specification \(PDF\)](#) [RoHS Certificate of Compliance \(PDF\)](#)

Agency Certification

CSA LR19980
TUV R72081037
UL E29179

General

Product Family Crimp Housings
Series [3191](#)
Comments Polarized to Mating Part, With Mounting Ears
Overview [standard_093](#)
Product Name Standard .093"

Physical

Breakaway No
Circuits (maximum) 6
Circuits Detail 2x3
Color - Resin Natural
Flammability 94V-0
Gender Dual
Glow-Wire Compliant No
Keying to Mating Part None
Lock to Mating Part Yes
Material - Resin Nylon
Number of Rows 2
Packaging Type Bag
Panel Mount Yes
Pitch - Mating Interface (in) 0.264 In
Pitch - Mating Interface (mm) 6.71 mm
Polarized to Mating Part Yes
Stackable No
Temperature Range - Operating -40°C to +105°C

Electrical

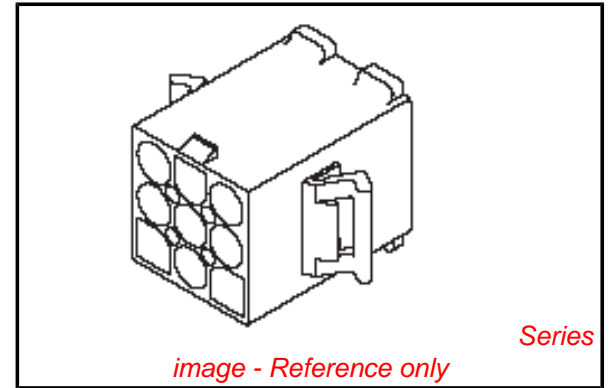
Current - Maximum per Contact 9A

Material Info

Old Part Number 3191-6P-201

Reference - Drawing Numbers

Packaging Specification PK-3191-001
Sales Drawing SD-3191-6*



EU RoHS

**ELV and RoHS
Compliant
REACH SVHC
Not Reviewed
Halogen-Free
Status
Not Reviewed**

China RoHS



**Need more information on product
environmental compliance?**

Email productcompliance@molex.com
For a multiple part number RoHS Certificate of Compliance, [click here](#)

Please visit the [Contact Us](#) section for any non-product compliance questions.

Search Parts in this Series

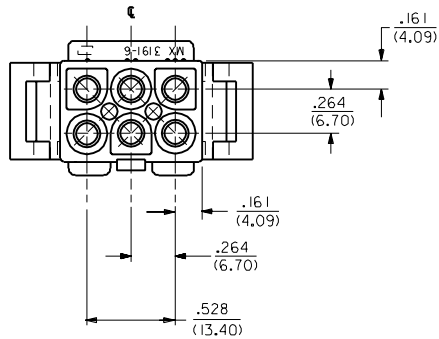
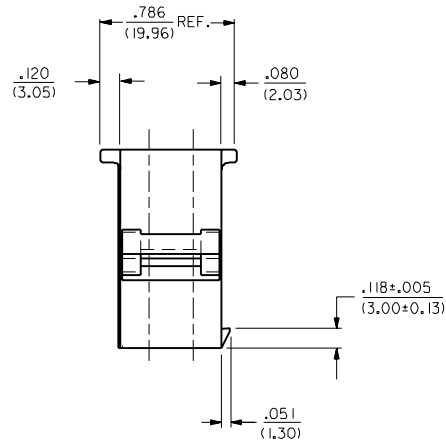
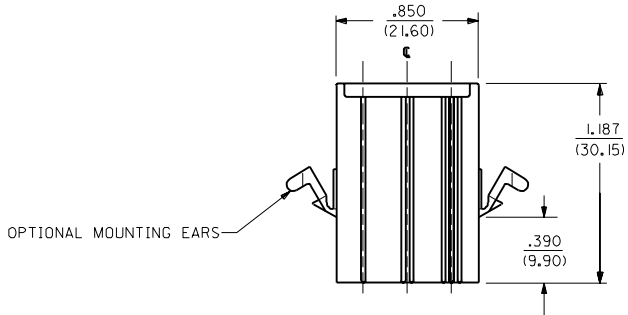
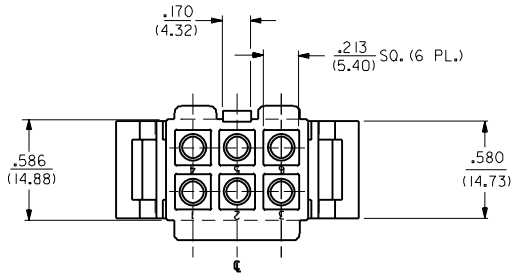
[3191Series](#)

Mates With

[3191](#) Pin and Socket Rectacle, [5219](#) Vertical PCB Header

Use With

[1189](#) Crimp Terminals, [1190](#) Crimp Terminals, [1380](#) Male Crimp Terminals, [1381](#) Female Crimp Terminals, [1433](#) Crimp Terminals, [1434](#) Male Crimp Terminals, [2605](#) , [2606](#) , [1973](#) , [2151](#) , [2273](#) , [2870](#) , [2871](#) , [4272](#) , Lin



PLUG

MI	ADD RAMP LENGTH ECN #U4 0293 3-1-94 RW
M	REVISED PER ECR # U90659 KBW 07-25-89 RW
L	ADDED STANDOFFS PER ECR UB 2271 GEP 11-30-88 RW
K	REV. & FINAL REL. ECR UB 1710 GEP 7-14-88 RW
J	REVISED & REDRAWN PER ECR UB 0122 2-2-88 SCHAFFER
MFG.	SH. REV. LTR. REVISIONS

DIMENSIONS SHOWN METRIC (INCH)		▽ = 0	▼ = 0	REVISE ONLY ON CAD SYSTEM
UNLESS OTHERWISE SPECIFIED TOLERANCES ANGULAR ± 0° 10'		TITLE		
INCH METRIC		.093/(2.36) HOUSING PLUG AND RECEPTACLE 6 CKT. .264/(6.70) CTRS.		
3 PLACE ± .010 ---	---	MOLEX INCORPORATED SHEET NO. DATE L15LEJLL. 60532 U.S.A. 1 OF 3 1/25/88		
2 PLACE ± .014 ± 0.25	---	PART NO. DRWG. NO.		
1 PLACE --- ± 0.36	---	SEE CHART SD-3191-6*		
DRAFT WHERE APPLICABLE MUST REMAIN WITHIN DIMENSIONS		APP'D. BY: JUS DRW'D. BY: RW SCALE: 2 : 1 FILE NAME: S31916.X1 APP'D. RAS		
THIS DRAWING CONTAINS INFORMATION THAT IS PROPRIETARY TO MOLEX INC. AND SHOULD NOT BE USED WITHOUT WRITTEN PERMISSION.		SIZE: CP C		

	13	12	11	10	9	8	7	6	3191	4	3	2	1																																																																																																		
	PLUG		RECEPTACLE																																																																																																												
J	PART NO.	ENG. NO.	PART NO.	ENG. NO.																																																																																																											
	19-09-2068	3191-6P	19-09-1069	3191-6R1																																																																																																											
	19-09-2069	3191-6P1	19-09-1066	3191-6R1-201																																																																																																											
	19-09-2067	3191-6P-201	19-09-6060	3191-6R IRD																																																																																																											
	19-09-2066	3191-6P1-201	19-09-6069	3191-6R IBK																																																																																																											
I	19-09-7069	3191-6PRD																																																																																																													
	19-09-7068	3191-6PBK																																																																																																													
H	<p style="text-align: right;">LEGEND:</p> <p style="text-align: right;">3191-6****-*</p> <p style="text-align: right;">CIRCUIT SIZE →</p> <p style="text-align: right;">P = PLUG</p> <p style="text-align: right;">R = RECEPTACLE</p> <p style="text-align: right;">EARS: BLANK = WITH PREBENT EARS (PLUG ONLY)</p> <p style="text-align: right;">I = WITHOUT EARS</p> <p style="text-align: right;">COLOR: BLANK = NATURAL COLOR</p> <p style="text-align: right;">AM=AMBER BK=BLACK BU=BLUE</p> <p style="text-align: right;">BN=BROWN GY=GRAY GN=GREEN</p> <p style="text-align: right;">OR=ORANGE RD=RED YW=YELLOW</p> <p style="text-align: right;">COLORS AVAILABLE ONLY IN 94V-2 MATERIAL</p> <p style="text-align: right;">MATERIAL: BLANK=NYLON TYPE 6/6, 94V-2</p> <p style="text-align: right;">201=NYLON TYPE 6/6, 94V-0</p>																																																																																																														
G																																																																																																															
F	<p style="text-align: center;">MOUNTING HOLE DETAIL</p>																																																																																																														
E	<p style="text-align: right;">3191</p>																																																																																																														
D																																																																																																															
C																																																																																																															
B																																																																																																															
A	<table border="1" style="width: 100%; border-collapse: collapse;"> <tr> <td colspan="2">DIMENSIONS SHOWN (METRIC) INCH</td> <td colspan="2">UNLESS OTHERWISE SPECIFIED TOLERANCES ANGLES ARE ± DPM</td> <td colspan="2">REVISIONS</td> <td colspan="2">DRAWING INFORMATION</td> <td colspan="2">MOLEX INCORPORATED</td> <td colspan="2">SHEET NO.</td> <td colspan="2">DATE</td> </tr> <tr> <td>3 PLACE</td> <td>± .010</td> <td>---</td> <td></td> <td>M</td> <td>SEE SHEET 1</td> <td>INCH</td> <td>METRIC</td> <td colspan="2">MOLEX INCORPORATED</td> <td>60532</td> <td>3</td> <td colspan="2">1/22/88</td> </tr> <tr> <td>2 PLACE</td> <td>± .014</td> <td>± 0.25</td> <td></td> <td>L</td> <td>SEE SHT. 1</td> <td></td> <td></td> <td colspan="2">MOLEX INCORPORATED</td> <td>60532</td> <td>3</td> <td colspan="2">1/22/88</td> </tr> <tr> <td>1 PLACE</td> <td>---</td> <td>± 0.36</td> <td></td> <td>K</td> <td>SEE SHT. 1</td> <td></td> <td></td> <td colspan="2">MOLEX INCORPORATED</td> <td>60532</td> <td>3</td> <td colspan="2">1/22/88</td> </tr> <tr> <td colspan="4">DRAFT WHERE APPLICABLE MUST REMAIN WITHIN DIMENSIONS</td> <td>J</td> <td>SEE SHT. 1</td> <td colspan="2">DRAWING INFORMATION</td> <td colspan="2">MOLEX INCORPORATED</td> <td>60532</td> <td>3</td> <td colspan="2">1/22/88</td> </tr> <tr> <td colspan="2">DRWG. BY: JUS</td> <td colspan="2">CHK'D. BY: RW</td> <td colspan="2">LTR. REVISIONS</td> <td colspan="2">SCALE: --:--</td> <td colspan="2">SEE CHART</td> <td colspan="2">SD-3191-6*</td> <td colspan="2">DIV. SIZE</td> </tr> <tr> <td colspan="2">APP'D. BY: RAS</td> <td colspan="2">SCALE: --:--</td> <td colspan="2">LTR. REVISIONS</td> <td colspan="2">SCALE: --:--</td> <td colspan="2">SEE CHART</td> <td colspan="2">SD-3191-6*</td> <td colspan="2">CP IC</td> </tr> </table>													DIMENSIONS SHOWN (METRIC) INCH		UNLESS OTHERWISE SPECIFIED TOLERANCES ANGLES ARE ± DPM		REVISIONS		DRAWING INFORMATION		MOLEX INCORPORATED		SHEET NO.		DATE		3 PLACE	± .010	---		M	SEE SHEET 1	INCH	METRIC	MOLEX INCORPORATED		60532	3	1/22/88		2 PLACE	± .014	± 0.25		L	SEE SHT. 1			MOLEX INCORPORATED		60532	3	1/22/88		1 PLACE	---	± 0.36		K	SEE SHT. 1			MOLEX INCORPORATED		60532	3	1/22/88		DRAFT WHERE APPLICABLE MUST REMAIN WITHIN DIMENSIONS				J	SEE SHT. 1	DRAWING INFORMATION		MOLEX INCORPORATED		60532	3	1/22/88		DRWG. BY: JUS		CHK'D. BY: RW		LTR. REVISIONS		SCALE: --:--		SEE CHART		SD-3191-6*		DIV. SIZE		APP'D. BY: RAS		SCALE: --:--		LTR. REVISIONS		SCALE: --:--		SEE CHART		SD-3191-6*		CP IC	
DIMENSIONS SHOWN (METRIC) INCH		UNLESS OTHERWISE SPECIFIED TOLERANCES ANGLES ARE ± DPM		REVISIONS		DRAWING INFORMATION		MOLEX INCORPORATED		SHEET NO.		DATE																																																																																																			
3 PLACE	± .010	---		M	SEE SHEET 1	INCH	METRIC	MOLEX INCORPORATED		60532	3	1/22/88																																																																																																			
2 PLACE	± .014	± 0.25		L	SEE SHT. 1			MOLEX INCORPORATED		60532	3	1/22/88																																																																																																			
1 PLACE	---	± 0.36		K	SEE SHT. 1			MOLEX INCORPORATED		60532	3	1/22/88																																																																																																			
DRAFT WHERE APPLICABLE MUST REMAIN WITHIN DIMENSIONS				J	SEE SHT. 1	DRAWING INFORMATION		MOLEX INCORPORATED		60532	3	1/22/88																																																																																																			
DRWG. BY: JUS		CHK'D. BY: RW		LTR. REVISIONS		SCALE: --:--		SEE CHART		SD-3191-6*		DIV. SIZE																																																																																																			
APP'D. BY: RAS		SCALE: --:--		LTR. REVISIONS		SCALE: --:--		SEE CHART		SD-3191-6*		CP IC																																																																																																			
	13	12	11	10	9	8	7	6	5	4	3	2	1																																																																																																		